



HOMOLOGATIONS REGULATIONS

Version: 21 March 2022~~4~~May 2018

**TABLE OF CONTENTS
(OVERVIEW)**

SECTION I	INTRODUCTION	1
CHAPTER 1	Objective and Scope.....	1
1.	OBJECTIVE	1
2.	SCOPE	1
SECTION II	SPORT MATERIALS	4
CHAPTER 2	General.....	4
3.	HOMOLOGATION PROCESS	4
4.	HOMOLOGATED SPORTS MATERIAL LIST	5
SECTION III	USE OF FIVB MARKS BY MANUFACTURERS	6
5.	LICENSING PROCESS	6
6.	LICENSE FEE	6
SECTION IV	FINAL PROVISIONS.....	7
CHAPTER 3	Miscellaneous	7
7.	ENTRY INTO FORCE	7

SECTION I INTRODUCTION

CHAPTER 1 Objective and Scope

1. OBJECTIVE

These Regulations describe the system for homologating sports materials to be used in FIVB, World and Official Competitions in order to ensure a safe and fair environment for the practice of the sport of Volleyball.

These Regulations further establish the process for obtaining a license to use the FIVB Marks in conjunction with Homologated Sports Material.

2. SCOPE

2.1 SPORT OF VOLLEYBALL

These Regulations shall apply to all forms of the sport of Volleyball recognised by the FIVB (e.g. indoor, beach volleyball or snow volleyball).

2.2 PRODUCTS

2.2.1 The following products ("Sport Material") shall be subject to homologation:

- a. Balls;
- b. Sports floors;
- c. Nets and antennas, post pads and referee chairs; and
- d. Video officiating support systems.

2.2.2 Each product must be homologated for itself (e.g. two different types of balls would require two homologations).

2.2.3 Homologated Sports Material is a product declared by the FIVB as being in accordance with the Official Rules of the sport of Volleyball and with FIVB technical requirements after the completion of the homologation process described in these Regulations, the signature of a Homologation Contract between the FIVB and the manufacturer and payment of the administration fee (if any).

2.3 DURATION OF THE HOMOLOGATION

2.3.1 Each homologation is valid for up to a four year period. In the event that

there are neither 1) modifications of a specific Homologated Sport Material nor 2) changes regarding the technical requirements established by the FIVB after a homologation has been granted, the FIVB may grant a renewal of the homologation for a period of four years without conducting a full re-test of the product. [In any case, the total validity of the homologation may not exceed eight \(8\) years after the date of the relevant test report.](#)

- 2.3.2 Modification Re-test – In the event that a manufacturer modifies the Homologated Sports Material compared to the product homologated by FIVB, such product immediately loses its homologation. The manufacturer must notify the FIVB immediately of any modification of Homologated Sports Material. The FIVB may then require a Modification Re-test to ensure that the new composition of the product continues to meet the FIVB requirements. A Modification Re-test is also required if the FIVB technical requirements for the Homologated Sports Material changes. The FIVB will inform the respective manufactures about changes of FIVB technical requirements before a Re-test is conducted.
- 2.3.3 Post Certification - The FIVB shall have the right to conduct a Post Certification Test to ensure that Homologated Sports Materials continue to meet the requirements according to the FIVB Rules.

2.4 RELATIONSHIP WITH THE STATUS OF FIVB COMMERCIAL AFFILIATE

2.4.1 General Principles

Manufacturers of Homologated Sports Material may acquire a license to use the FIVB Marks in relation with a Homologation Sports Material or said Homologated Sports Material's product packaging (see Section III).

2.4.2 Exclusivity

2.4.2.1 The FIVB may decide to use Homologated Sports Material on an exclusive basis for certain FIVB Competitions.

2.4.2.2 Supplier Agreements between the FIVB and manufactures may not waive the homologation requirements, including the administration fee (if any), set forth in these Regulations or supporting documents.

2.5 RELATIONSHIP WITH OTHER FIVB REGULATIONS

- 2.5.1 The FIVB may decide to regulate the use of products not subject to homologation (e.g. uniforms, shoes, player and team official equipment or accessories) in FIVB, World and Official Competitions separately. In

particular, the layout of uniforms and the obligation to provide the FIVB with the relevant samples are not governed by these Regulations but the Event Regulations of the relevant discipline.

- 2.5.2 The definition of FIVB, World and Official Competitions in the present Regulations are those of the relevant discipline and regulations.

SECTION II SPORT MATERIALS

CHAPTER 2 General

3. HOMOLOGATION PROCESS

3.1 START OF THE HOMOLOGATION PROCESS

The manufacturer shall:

- file the relevant application form (see Appendix 1 and 2), including supporting documents listed therein, with the FIVB; and
- provide the FIVB with a copy of the bank transfer order with regards to the laboratory fee (if any),

to initiate the homologation process.

3.2 TESTING

3.2.1 The FIVB may decide to submit the Sport Material for testing by a third party designated by the FIVB.

3.2.2 The FIVB shall establish specific technical requirements for each Sport Material to be fulfilled (see Appendix 1 and 2).

3.2.3 The manufacturer shall bear the costs of the testing (if any).

3.2.4 The testing authority shall communicate the results of the test to the FIVB directly.

3.3 ADMINISTRATION FEE

The FIVB shall require the payment of an administration fee (see Appendix 1 and 2).

3.4 HOMOLOGATION CONTRACT

3.4.1 Upon receipt of the results and if results are conclusively showing that the Sports Material meets the applicable technical requirements, the FIVB shall prepare a Homologation Contract to be signed by the manufacturer and the FIVB.

3.4.2 The Homologation Contract shall at minimum:

- authorise the manufacturer to stamp or print "International Volleyball Standard" or "IVS – Tested by FIVB" on the Sport Material corresponding to the approved model and within the limits

- specified by the FIVB;
- specify the amount of the administration fee to be paid by the manufacturer; and
- oblige the manufacturer to reveal any changes made to the Homologated Sports Material during the term of the Homologation Contract.

3.5 HOMOLOGATION CERTIFICATE

- 3.5.1 Subject to the signature of the Homologation Contract and payment of the relevant administration fee, the FIVB will issue a Homologation Certificate.
- 3.5.2 The term of the Homologation Certificate and the Sport Material referenced therein shall mirror that of the Homologation Contract.
- 3.5.3 Any changes to the Homologated Sports Material during the term of the Homologation Contract invalidate the Homologation Certificate and require the Sport Material to be re-submitted through the homologation process.

4. HOMOLOGATED SPORTS MATERIAL LIST

The FIVB may publish the list of Homologated Sports Material on the FIVB website.

SECTION III USE OF FIVB MARKS BY MANUFACTURERS

5. LICENSING PROCESS

5.1 Upon completion of the homologation process, a manufacturer may acquire a license to stamp or print “FIVB Approved” on its Homologated Sports Material or the Homologated Sports Material’s product packaging (see Appendix 3).

5.2 In the event that a manufacturer wishes to obtain a license as per Article 5.1, the [relevant agreement with the manufacturer](#)~~Homologation Contract~~ shall designate the amount of the license fee described in Article 6.1, the stamp designation and the restrictions of use of the FIVB logo.

6. LICENSE FEE

6.1 The manufacturer shall pay an annual license fee to use the “FIVB Approved” stamp on its Homologated Sports Material or the Homologated Sports Material’s product packaging. The FIVB [or its affiliates](#) shall determine the amount of the annual license fee based on the extent of the proposed use of the “FIVB Approved” stamp.

SECTION IV Final Provisions

CHAPTER 3 Miscellaneous

7. ENTRY INTO FORCE

- 7.1 These Regulations were approved by the FIVB Board of Administration on ~~4 May 2018~~ 21 March 2022 and shall enter into force on ~~26 April 2022~~ 1 June 2018. They can be amended by a decision of the FIVB Board of Administration.
- 7.2 These Regulations supersede Article 3 of the FIVB Financial Regulations 2015, which is hereby cancelled.

Appendix 1

**APPLICATION FORM FOR BALLS, SPORTS FLOORS, NETS AND ANTENNAS,
POST PADS AND REFEREE CHAIRS
(FIVB FORM H-1)
(only for manufacturer)**

Manufacturer's name:
 Address:
 Country: Tel.: Fax: E-mail:

PRODUCT IDENTIFICATION

(to be completed only by the manufacturer)

A. Sport Material: Balls, Sports floors, Nets and antennas, Post pads and referee chairs

- Balls
 - Indoor
 - Beach
 - Kids
- Equipment
 - Sport floor
 - Post + Post Pads
 - Net + Antennae
 - Referee chairs

- B. Brand name:**.....
C. Catalogue identification:.....
D. Other useful information:.....

We, the undersigned, certify that we are the owners of the brand name of the product and that we intend to execute a maximum 4 year contract with the FIVB for our product(s) homologation under the FIVB Homologation Regulations 2018 and FIVB Technical Requirements.

Manufacturer (signature and stamp): Date:

For FIVB internal use only

Reception dates of:

Application:
 Testing Date:
 Admin. Fee:
 Lab payment:
 1st Lab result:
 2nd lab result:

FIVB Signatures for application approval

FIVB Transfer Coordinator:.....

FIVB TECHNICAL REQUIREMENTS – BALLS

The homologation process for Balls is governed by the FIVB Homologation Regulations 2018 and supplemented by the present document, including the Testing Protocol laid out therein.

1. PRODUCTS

Use of the FIVB Form H-1 is currently limited to the following sub-category of Balls: “Indoor”; “Beach”; and “Kids”.

The FIVB Form H-1 is valid for Volleyball and Beach Volleyball. Please note however that each product must be homologated for itself. Thus, the FIVB will require a separate FIVB Form H-1 for each product to be homologated within the sub-category referred to above.

2. APPLICATION PROCESS

Manufacturers of Balls may apply for homologation as follows:

2.1 Complete and file the FIVB Form H-1 with the FIVB Legal and Transfer Department:

Fédération Internationale de Volleyball (FIVB)

Edouard-Sandoz 2-4 – 1006 Lausanne SWITZERLAND

Telephone: +41 (21) 345 35 35 – Fax: +41 (21) 345 35 45

Attention: Mr. ~~Carlos de Assis~~Mehdi Mhidi, Transfer Coordinator

transfer@fivb.com and copy to: technical@fivb.com and legal@fivb.com

2.2 The applicant must attach to the FIVB Form H-1 (Article 3.1 FIVB Homologations Regulations 2018) a copy of the bank transfer order with regards to the advanced:

- laboratory fee in the amount of CHF 4'450 for Indoor Volleyball and CHF 4'300 for beach Volleyball (to be paid directly to the FIVB ~~Testing laboratory~~).
- administration fee in the amount of CHF 100 (see Paragraph 3.2).

Payment of the administration fee must be made to the FIVB account as follows:

Beneficiary:

Fédération Internationale de Volleyball (FIVB)

Beneficiary address:

Chemin Edouard-Sandoz 2-4

1006 Lausanne

Switzerland

Bank:

Banque Cantonale Vaudoise (BCV)

Place Saint-François 14

CH-1001 Lausanne / Switzerland

Account: T 5344.53.25
IBAN: CH33 00767 000T 5344 5325
BIC Code (Swift Address): BCVLCH2LXXX
Bank clearing: 767

- 2.3 The applicant may attach a letter of recommendation, signed by the National Federation of the country in which the Ball has been used (if applicable), stating that the product has been successfully used in local Volleyball and/or Beach Volleyball tournaments organised or sanctioned by the National Federation, and the period the product has been used for (Years/Months and approx. number of events).

3. TESTING

- 3.1 Upon receipt of a complete application as per Paragraph 2, the FIVB Legal and Transfer Department will proceed as follows:

- 3.1.1 The manufacturer of the Balls will be requested to submit the product for testing. Contact details for the FIVB Testing laboratory are as follows:

EMPA

Swiss Federal Laboratories for Materials Science and Technology
~~Mr. Ivo Rechsteiner~~ [Leonie El Issawi-Frischknecht](#), Prüfleister / Tester
Empa Abt. 401
Lerchenfeldstrasse 5
CH-0914 St. Gallen
Switzerland
Tel. +4158765~~78707779~~
Email: leonie.elissawiivo.rechsteiner@empa.ch

- 3.1.2 The manufacturer is obliged to send to the FIVB and to the FIVB Testing laboratory the details of the composition and full specifications of the Balls to be homologated. Further information may be requested by the FIVB or the FIVB Testing Laboratory about the Ball at any time.
- 3.1.3 The FIVB Testing laboratory shall use the Testing Protocol – Balls (Indoor) and Testing Protocol – Balls (Beach) to conduct the laboratory test (see pages 12 and 13).
- 3.2 In addition to the laboratory test, the FIVB Legal and Transfer Department may invite the manufacturer to arrange for on-site testing at a location to be decided between the FIVB Legal and Transfer Department and the manufacturer. The purpose of on-site testing is to replicate international match conditions as described in the FIVB Event Regulations for each discipline. The following conditions shall apply:

- 3.2.1 On-site testing will be conducted with the assistance of National Federation(s) designated by the FIVB Legal and Transfer Department (see FIVB Form H-1bis).
- 3.2.2 The FIVB Legal and Transfer Department and the manufacturer will coordinate dates and logistics for the on-site test. The manufacturer may agree with the FIVB Legal and Transfer Department to arrange the logistics on their behalf.
- 3.2.3 The FIVB Legal and Transfer Department may invoice the manufacturer for travel, accommodation and meal costs for on-site testing by FIVB personal (Article 3.3. FIVB Homologations Regulations 2018). The FIVB Legal and Transfer Department will issue a new invoice replacing the administration fee (see Paragraph 2.2.2).

4. POST-TESTING

Please allow up to thirty (30) days after the laboratory test for the FIVB Testing Laboratory to prepare reports and for the FIVB to finalize the homologation process.

- 4.1 The FIVB Testing Laboratory and the National Federation(s) (if applicable) will communicate the results of the laboratory test and on-site test respectively to the FIVB Legal and Transfer Department directly (Article 3.2.4 FIVB Homologation Regulations 2018). The manufacturer will subsequently be informed of the results of the laboratory test and the on-site test respectively.
- 4.2 If the FIVB Testing Laboratory and the National Federation(s) (if applicable) conclude that the Ball does not meet FIVB Technical Requirements the manufacturer can file a second application at any point in the future, provided that the advanced laboratory fee and administration fee are paid.
- 4.3 If the FIVB Testing Laboratory and the National Federation(s) (if applicable) conclude that the Ball meets the FIVB Technical Requirements:
 - 4.3.1 The FIVB will prepare a Homologation Contract, which will include the specifications listed in Article 3.4.2 FIVB Homologation Regulations 2018.
 - 4.3.2 Subject to the signature of the Homologation Contract and payment of the remainder of the laboratory fee and/or administration fee (if any), the Ball will be considered a Homologated Sports Material (Article 2.2.3 FIVB Homologation Regulations 2018). The FIVB will issue a Homologation Certificate (Article 3.5 FIVB Homologation Regulations 2018).
- 4.4 If the Ball is changed, improved or upgraded at any point in time, the Homologated Sports Material will lose its homologation (Article 2.3.2 FIVB Homologation Regulations 2018). The FIVB has the right to amend the FIVB Technical Requirements – Balls, including the Testing Protocol (Indoor) and Testing Protocol (Beach), at any time. In such case, the

product must be re-tested (Article 2.3.2 FIVB Homologations Regulations 2018).

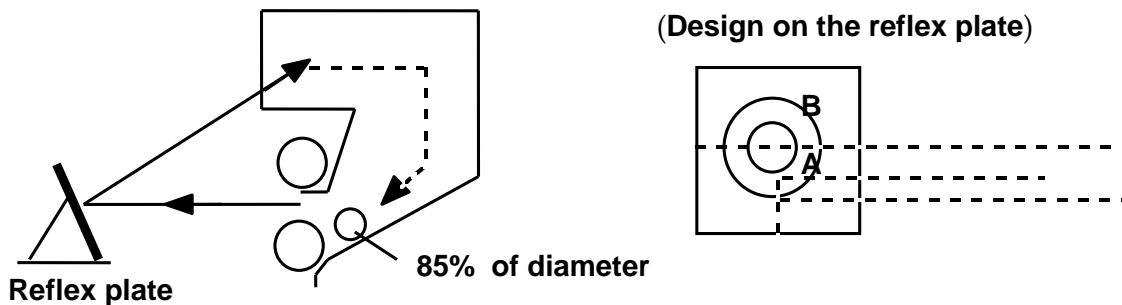
5. MISCELLANEOUS

- 5.1 The manufacturer of Balls may acquire a license to use the FIVB Marks in relation with the Homologated Sports Material (Articles 2.4.1 and 5 FIVB Homologation Regulations 2018).
- 5.2 The FIVB may at some point decide to appoint an Exclusive Supplier for Balls for all or particular FIVB Competitions and/or World Competitions (Article 2.4.2.1 FIVB Homologation Regulations 2018). Supplier Agreements may not waive the homologation requirements (Article 2.4.2.2 FIVB Homologation Regulations 2018).

Testing Protocol – Balls (Indoor)

The following Testing Protocol applies for Balls Size 5, 8-18 panels, synthetic color:

1. Temperature in the laboratory: 20 – 25 degrees centigrade (20° - 25°C)
2. The following minimum standard and range of test results shall apply:
 - a) Material: Synthetic leather (*Non-woven fabric + PU*).
 - b) Number of Panels: Minimum 8 – Maximum 18
 - c) Colors: Combination of: Min. 2 – Max. 3 colors (*Ultra fine fiber structure*).
 - d) ~~Weighing Value~~Weight: 270 g ± 10 g.
 - e) Circumference: 66.0 ± 1.0 cm and Sphericity ≤ 1.5% measured by ball measuring machine CSM¹.
 - f) Impact power from 1 m height on Kistler Force Plate: Range (387.5 – 402.5 N).
 - g) Height of rebound from 1 m height on Kistler Force Plate: Range (60.0 - 66.0 cm).
 - h) Endurance test in Endurance Test Machine: Minimum number of times: Min. 10,000 repetitions at speed 50 km/h ± 2 km/h.
 - i) Pressure in the ball; 0.30 – 0.325 kg/cm² or 294.3 – 318.82 m. bar or hPa.
 - j) Detection of use of banned Azo Colorants: Banned azo colorants are such colorants that may form one of the following amines of class MAK III A1 and MAK III A2 splitting up one or more ago groups. Detection limit: 5 ppm.
 - k) Test for Pentachlorophenol (PCP) and Tetrachloropenol (TeCP)
(*Test method according to DIN 53313*) – *No detection allowed*
 - l) Loss of pressure ≤ 10 %, inflation pressure initially (0.319 ± 0.05) bar, duration of exposure 72 hours.
3. Diagram on design of the reflex plate and how endurance test is completed:

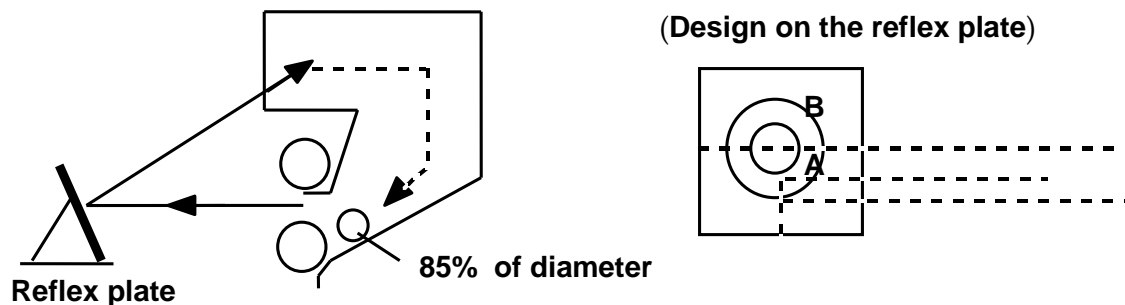


¹ Contact and information: SAJ Electronic, Mr. Günter Johann/ Dr. Michael Johann, Dahner Strasse 9, D – 76846 Hauenstein, Germany. Tel. +4963921517. Email: g_johann@saj-elektronik.de

Testing Protocol – Balls (Beach)

The following Testing Protocol applies for Balls Size 5, 10-18 panels, flexible material (leather or similar), beach volleyball (color):

1. Temperature in the laboratory: 20 – 25 degrees centigrade (20° -25° C)
2. The following minimum standard and range of test results shall apply:
 - a) Material: Man-made leather (*Non-woven fabric + PU*).
 - b) Colors: 3 colors.
 - c) Weight: 270 g \pm 10 g.
 - d) Circumference: 67.0 \pm 1.0 cm and Sphericity \leq 1.5% measured by ball measuring machine CSM².
 - e) Impact power from 1 m height on Kistler Force Plate: Range (290 – 360 N).
 - f) Height of rebound from 1 m height on Kistler Force Plate: Range (53.0 - 61.0 cm).
 - g) Endurance test in Endurance Test Machine: Minimum number of times: Min. 5,000 repetitions at speed 50 km/h \pm 2 km/h.
 - h) Pressure in the ball; 0.225 kg/cm² or 221 M. bar or hPa.
Loss of pressure \leq 10% and Sphericity required \leq 1.5%
 - i) Detection of use of Banned Azo Colorants: Banned azo colorants are such colorants that may form one of the following: Amines of class MAK III A1 and MAK III A2 splitting up one or more azo groups. Detection limit: 5 ppm.
 - j) Test for Pentachlorophenol (PCP) and Tetrachlorophenol (TeCP)
Test method according to DIN 53313) - No Detection allowed
 - k) Loss of pressure \leq 10 %, inflation pressure initially (0.222 \pm 0.05) bar, duration of exposure 72 hours.
3. Diagram on design of the reflex plate and how endurance test is completed:



² Contact and information: SAJ Electronic, Mr. Günter Johann/ Dr. Michael Johann, Dahner Strasse 9, D – 76846 Hauenstein, Germany. Tel. +4963921517. Email: g_johann@saj-elektronik.de

**ON-SITE TEST REPORT FOR BALLS
(FIVB FORM H-1bis)**

Tested ball:	Date of report:
Brand name printed on the ball:	
Place of the test:	

Contents and Evaluation of the Ball		Poor Neutral Good		
(Fill in the table)		1	2	3
Subjective tests made by the tester	1. Feeling of the ball:	-	-	-
	A. Setting			
	B. Spike and blocking			
	C. Serve and service reception			
	2. Elasticity			
	3. Impact power in handling			
	4. Play control			
5. Overall				

Brand-name printed on the ball:
Type of balls: Indoor <input type="checkbox"/> Beach <input type="checkbox"/> kids <input type="checkbox"/>
Natural leather <input type="checkbox"/> Synthetic leather <input type="checkbox"/>
Colour combination:

REPORT As a result of my test, the National Federation considers the qualities of this ball as follows: (Please check the appropriate box and briefly state the reason)
<input type="checkbox"/> Poor
<input type="checkbox"/> Same as standard
<input type="checkbox"/> Good

Other remarks:
Date: _____
National Federation: Signature:

FIVB TECHNICAL REQUIREMENTS – SPORT FLOOR

The homologation process for Sport Floor is governed by the FIVB Homologation Regulations 2018 and supplemented by the present document, including the Testing Protocol laid out therein.

1. PRODUCTS

Use of the FIVB Form H-1 is currently limited to the following sub-category of Equipment: “Sport Floor”; “Nets and antennas”; “Post pads and referee chairs”.

The FIVB Form H-1 is valid for indoor and outdoor Sport Floor. Please note however that each product must be homologated for itself. Thus, the FIVB will require a separate FIVB Form H-1 for each product to be homologated within the sub-category referred to above.

2. APPLICATION PROCESS

Manufacturers of Sport Floor may apply for homologation as follows:

2.1 Complete and file the FIVB Form H-1 with the FIVB Legal and Transfer Department:

Fédération Internationale de Volleyball (FIVB)

Edouard-Sandoz 2-4 – 1006 Lausanne SWITZERLAND

Telephone: +41 (21) 345 35 35 – Fax: +41 (21) 345 35 45

Attention: Mr. [Mehdi Mhidi](#)/[Carlos de Assis](#), Transfer Coordinator

transfer@fivb.com and copy to: technical@fivb.com and legal@fivb.com

2.2 The applicant must attach to the FIVB Form H-1 (Article 3.1 FIVB Homologations Regulations 2018) a copy of the bank transfer order with regards to the advanced:

- laboratory fee in the amount of CHF 2'800 (to be paid directly to the FIVB [or the](#) Testing laboratory).
- administration fee in the amount of CHF 100.

Payment of the administration fee must be made to the FIVB account as follows:

Beneficiary:

Fédération Internationale de Volleyball (FIVB)

Beneficiary address:

Chemin Edouard-Sandoz 2-4

1006 Lausanne

Switzerland

Bank:

Banque Cantonale Vaudoise (BCV)

Place Saint-François 14

CH-1001 Lausanne / Switzerland

Account: T 5344.53.25
IBAN: CH33 00767 000T 5344 5325
BIC Code (Swift Address): BCVLCH2LXXX
Bank clearing: 767

- 2.3 The applicant may attach a letter of recommendation, signed by the National Federation of the country in which the Sport Floor has been used (if applicable), stating that the product has been successfully used in local Volleyball tournaments organised or sanctioned by the National Federation, and the period the product has been used for (Years/Months and approx. number of events).

3. TESTING

- 3.1 Upon receipt of a complete application as per Paragraph 2, the FIVB Legal and Transfer Department will proceed as follows:

- 3.1.1 The manufacturer of the Sport Floor will be requested to submit the product for testing. Contact details for the FIVB Testing laboratory are as follows:

IST Consulting GmbH

Institut für Sportbodentechnik

Ms. Karin Glasze-Kolitzus, Qualitäts Management

[Mr Thomas Hartmann, Lab Director](#)

[Hauptstrasse Bälisteigstr. 234](#)

CH-8264 Eschenz

Switzerland

Tel. +41527403005

Email: h.kolitzus@bluewin.ch ist-mailbox@bluewin.ch

- 3.1.2 The manufacturer is obliged to send to the FIVB and to the FIVB Testing laboratory the details of the composition and full specifications of the Sport Floor subject to the homologation. Further information may be requested by the FIVB or the FIVB Testing Laboratory at any time.

- 3.1.3 The FIVB Testing laboratory shall operate under the ISO 17025 and use the Testing Protocol – Sport Floor to conduct the laboratory test (see page18).

4. POST-TESTING

Please allow up to thirty (30) days after the laboratory test for the FIVB Testing Laboratory to prepare reports and for the FIVB to finalize the homologation process.

- 4.1 The FIVB Testing Laboratory will communicate the results of the laboratory test to the FIVB Legal and Transfer Department directly (Article 3.2.4 FIVB Homologation Regulations 2018). The manufacturer will subsequently be

informed of the results of the laboratory test.

- 4.2 If the FIVB Testing Laboratory concludes that the Sport Floor does not meet FIVB Technical Requirements the manufacturer can file a second application at any point in the future, provided that the advanced laboratory fee and administration fee are paid.
- 4.3 If the FIVB Testing Laboratory concludes that the Sport Floor meets the FIVB Technical Requirements:
- 4.3.1 The FIVB will prepare a Homologation Contract, which will include the specifications listed in Article 3.4.2 FIVB Homologation Regulations 2018.
- 4.3.2 Subject to the signature of the Homologation Contract and payment of the remainder of the laboratory fee and/or administration fee (if any), the Sport Floor will be considered a Homologated Sports Material (Article 2.2.3 FIVB Homologation Regulations 2018). The FIVB will issue a Homologation Certificate (Article 3.5 FIVB Homologation Regulations 2018).
- 4.4 If the Sport Floor is changed, improved or upgraded at any point in time, the Homologated Sports Material will lose its homologation (Article 2.3.2 FIVB Homologation Regulations 2018). The FIVB has the right to amend the FIVB Technical Requirements – Sport Floor at any time. In such case, the product must be re-tested (Article 2.3.2 FIVB Homologations Regulations 2018).

5. MISCELLANEOUS

- 5.1 The manufacturer of Sport Floor may acquire a license to use the FIVB Marks in relation with the Homologated Sports Material (Articles 2.4.1 and 5 FIVB Homologation Regulations 2018).
- 5.2 The FIVB may at some point decide to appoint an Exclusive Supplier for Sport Floor for all or particular FIVB Competitions and/or World Competitions (Article 2.4.2.1 FIVB Homologation Regulations 2018). Supplier Agreements may not waive the homologation requirements (Article 2.4.2.2 FIVB Homologation Regulations 2018).

Testing Protocol – Sport Floor

The following Testing Protocol applies for Sport Floor:

1. The Sport Floor must meet the requirements set forth in the EN 14904 at the time of the laboratory test. Additional/specific requirements for wooden and synthetic flooring are as follows:

- Wooden flooring

Force Reduction acc. EN 14808	min. 50 %
Requirements regarding uniformity	± 6 % absolute from average
Sliding properties acc. prEN14903 or acc. EN 13036-4 (dry condition)	min. 0.4 to max 0.6 min. 80 max 120*
- Synthetic flooring

Force Reduction acc. EN 14808	min. 45 %**
Requirements regarding uniformity	± 6 % absolute from average
Sliding properties acc. prEN14903 or acc. EN 13036-4 (dry condition)	min. 0.4 to max 0.6 min. 80 max 120*
Requirements regarding uniformity	± 25 % absolute from average

2. The manufacturer and the flooring installation company (if any), shall provide the FIVB Testing laboratory with the following documentation package:

- Lab Test Report of an ISO accredited Test House;
- Description of the installation procedure including the list of used materials;
- Maintenance advise; and
- Result of the inspection and approval of any existing installation.

Information:

* The requirements for sliding properties are subject to change in the draft of the prEN 14904 from 80 to 115.

** The EN 14904 allows for Force Reduction of synthetic surfaces (point elastic type) a range of 25 to 35 for type 1 and a range of 35 to 45 for type 2.

FIVB TECHNICAL REQUIREMENTS – OTHER EQUIPMENT

The homologation process for Nets, Antennas, Post pads and referee chair is governed by the FIVB Homologation Regulations 2018 and supplemented by the present document.

1. PRODUCTS

The FIVB Form H-1 is valid for indoor and outdoor Nets and antennas and Post pads and referee chairs (as applicable). Please note however that each product must be homologated for itself. Thus, the FIVB will require a separate FIVB Form H-1 for each product to be homologated within the sub-category referred to above.

2. APPLICATION PROCESS

Manufacturers of Nets and antennas and Post pads and referee chairs may apply for homologation as follows:

2.1 Complete and file the FIVB Form H-1 with the FIVB Legal and Transfer Department:

Fédération Internationale de Volleyball (FIVB)

Edouard-Sandoz 2-4 – 1006 Lausanne SWITZERLAND

Telephone: +41 (21) 345 35 35 – Fax: +41 (21) 345 35 45

Attention: Mr. [Mehdi Mhidi](#)~~Carlos de Assis~~, Transfer Coordinator

transfer@fivb.com and copy to: technical@fivb.com and legal@fivb.com

2.2 The applicant must attach to the FIVB Form H-1 (Article 3.1 FIVB Homologations Regulations 2018) a copy of the bank transfer order with regards to the advanced:

- laboratory fee in the amount of CHF 200 per hour (to be paid directly to the FIVB Testing laboratory).
- administration fee in the amount of CHF 100.

Payment of the administration fee must be made to the FIVB account as follows:

Beneficiary:

Fédération Internationale de Volleyball (FIVB)

Beneficiary address:

Chemin Edouard-Sandoz 2-4

1006 Lausanne

Switzerland

Bank:

Banque Cantonale Vaudoise (BCV)

Place Saint-François 14

CH-1001 Lausanne / Switzerland

Account: T 5344.53.25

IBAN: CH33 00767 000T 5344 5325
BIC Code (Swift Address): BCVLCH2LXXX
Bank clearing: 767

- 2.3 The applicant may attach a letter of recommendation, signed by the National Federation of the country in which the Nets and antennas and Post pads and referee chairs (as applicable) has been used (if applicable), stating that the product has been successfully used in local Volleyball and/or Beach Volleyball tournaments organised or sanctioned by the National Federation, and the period the product has been used for (Years/Months and approx. number of events).

3. TESTING

- 3.1 Upon receipt of a complete application as per Paragraph 2, the FIVB Legal and Transfer Department will proceed as follows:

- 3.1.1 The manufacturer of the Nets and antennas and Post pads and referee chairs (as applicable) will be requested to submit the product for testing. Contact details for the FIVB Testing laboratory are as follows:

AISTS | Académie Internationale des Sciences et Techniques du Sport

~~Mrs. Dimitris Balomenos~~~~Bruna Di Napoli~~, [Research & Project Manager Sports Technology Senior Manager](#)

Quartier UNIL-Centre, Bâtiment Synathlon

CH-1015 Lausanne, Switzerland

Tel: +41 (0)21 692 64 808

Email: dimitrios.balomenos@aists.org bruna.dinapoli@aists.org

- 3.1.2 The manufacturer is obliged to send to the FIVB and to the FIVB Testing laboratory the details of the composition and full specifications of their Nets and antennas and Post pads and referee chairs (as applicable). Further information may be requested by the FIVB or the FIVB Testing Laboratory at any time.

4. POST-TESTING

Please allow up to thirty (30) days after the laboratory test for the FIVB Testing Laboratory to prepare reports and for the FIVB to finalize the homologation process.

- 4.1 The FIVB Testing Laboratory will communicate the results of the laboratory test to the FIVB Legal and Transfer Department directly (Article 3.2.4 FIVB Homologation Regulations 2018). The manufacturer will subsequently be informed of the results of the laboratory test.
- 4.2 If the FIVB Testing Laboratory concludes that the Nets and antennas and Post pads and referee chairs (as applicable) do not meet FIVB Technical Requirements the manufacturer can file a second application at any point in the future, provided that the advanced laboratory fee and administration fee are paid.

- 4.3 If the FIVB Testing Laboratory concludes that the Nets and antennas and Post pads and referee chairs (as applicable) meet the FIVB Technical Requirements:
- 4.3.1 The FIVB will prepare a Homologation Contract, which will include the specifications listed in Article 3.4.2 FIVB Homologation Regulations 2018.
- 4.3.2 Subject to the signature of the Homologation Contract and payment of the remainder of the laboratory fee and/or administration fee (if any), the Nets and antennas and Post pads and referee chairs (as applicable) will be considered a Homologated Sports Material (Article 2.2.3 FIVB Homologation Regulations 2018). The FIVB will issue a Homologation Certificate (Article 3.5 FIVB Homologation Regulations 2018).
- 4.4 If the Nets and antennas and Post pads and referee chairs (as applicable) are changed, improved or upgraded at any point in time, the Homologated Sports Material will lose its homologation (Article 2.3.2 FIVB Homologation Regulations 2018). The FIVB has the right to amend the FIVB Technical Requirements – Other Equipment at any time. In such case, the product must be re-tested (Article 2.3.2 FIVB Homologations Regulations 2018).

5. MISCELLANEOUS

- 5.1 The manufacturer of Nets and antennas and Post pads and referee chairs (as applicable) may acquire a license to use the FIVB Marks in relation with the Homologated Sports Material (Articles 2.4.1 and 5 FIVB Homologation Regulations 2018).
- 5.2 The FIVB may at some point decide to appoint an Exclusive Supplier for Nets and antennas and Post pads and referee chairs (as applicable) for all or particular FIVB Competitions and/or World Competitions (Article 2.4.2.1 FIVB Homologation Regulations 2018). Supplier Agreements may not waive the homologation requirements (Article 2.4.2.2 FIVB Homologation Regulations 2018).

Appendix 2

**APPLICATION FORM FOR VIDEO OFFICIATING SUPPORT SYSTEMS
(FIVB FORM H-2)**

(only for manufacturer)

Manufacturer's name:

Address:

Country: Tel.: Fax: E-mail:

PRODUCT IDENTIFICATION

(to be completed only by the manufacturer)

A. Sport Material: Video officiating support systems (Video Challenge System)

- Volleyball
 - Ball in / out for all court boundary lines
 - Ball touch: off the block / off the antenna
 - Foot fault: Service line / 3 metre line / Centre line
 - Player contact with the net or antenna
 - Floor touch: Ball touching the court / Ball Not touching the court
- Beach Volleyball
 - Ball in / out for all court boundary lines
 - Ball touch: off the block / off the antenna
 - Foot fault: Service line
 - Player contact with the net or antenna

B. Brand name:.....

C. Catalogue identification:.....

D. Other useful information:.....

We, the undersigned, certify that we are the owners of the brand name of the product and that we intend to execute a maximum 2 year contract with the FIVB for our product(s) homologation under the FIVB Homologation Regulations 2018 and FIVB Technical Requirements.

Manufacturer (signature and stamp):

Date:

For FIVB internal use only

Reception dates of:

Application:

Testing Date:

Admin. Fee:

Lab payment:

1st Lab result:

2nd lab result:

Challenge Referee:.....

FIVB Signatures for application approval

FIVB Technology & Innovation Director:.....

FIVB Sport Technical & Innovation Manager:.....

VIDEO OFFICIATING SUPPORT SYSTEMS

FIVB TECHNICAL REQUIREMENTS

The homologation process for Video officiating support system is governed by the FIVB Homologation Regulations 2018 and supplemented by the present document, including the Event Requirements laid out therein.

1. PRODUCTS

Use of the FIVB Form H-2 is currently limited to the following sub-category of Video officiating support systems: "Video Challenge System".

The FIVB Form H-2 is valid for Volleyball and Beach Volleyball. Please note however that each product must be homologated for itself. Thus, the FIVB will require a separate FIVB Form H-2 for each product to be homologated within the sub-category referred to above.

2. APPLICATION PROCESS

Manufacturers of Video officiating support system may apply for homologation as follows:

2.1 Complete and file the FIVB Form H-2 with the FIVB Technology & Innovation Department:

Fédération Internationale de Volleyball (FIVB)

Edouard-Sandoz 2-4 – CH-1006 Lausanne SWITZERLAND

Telephone: +41 (21) 345 35 35 – Fax: +41 (21) 345 35 45

Attention: Mr. Steve Tutton, Sport Technical & Innovation Manager

Email: technology.innovation@fivb.com and copy to: technical@fivb.com and legal@fivb.com

2.2 The applicant must attach to the FIVB Form H-2 (Article 3.1 FIVB Homologations Regulations 2018) a copy of the bank transfer order with regards to the advanced:

- laboratory fee in the amount of CHF 10'000 (see Paragraph 3.1.6 below).
- administration fee in the amount of CHF 5'000 (see Paragraph 3.1.7).

Payment of the administration fee must be made to the FIVB account as follows:

Beneficiary:

Fédération Internationale de Volleyball (FIVB)

Beneficiary address:

Chemin Edouard-Sandoz 2-4

CH-1006 Lausanne

Switzerland

Bank:

Banque Cantonale Vaudoise (BCV)
Place Saint-François 14
CH-1001 Lausanne / Switzerland
Account: T 5344.53.25
IBAN: CH33 00767 000T 5344 5325
BIC Code (Swift Address): BCVLCH2LXXX
Bank clearing: 767

- 2.3 The applicant may attach a letter of recommendation, signed by the National Federation of the country in which the Video officiating support system has been operated (if applicable), stating that the product has been successfully used in local Volleyball and/or Beach Volleyball tournaments organised or sanctioned by the National Federation, and the period the product has been used for (Years/Months and approx. number of events).

3. TESTING

- 3.1 Upon receipt of a complete application as per Paragraph 2, the FIVB Technology & Innovation Department will proceed as follows:

- 3.1.1 The manufacturer of the Video officiating support system will be requested to submit the product for testing. Contact details for the FIVB Testing laboratory are as follows:

Labosport Ltd.

Unit 3, Aerial Way,
Nottingham NG15 6DW
United Kingdom
Tel: +44 115 968 1998
E-mail: info@labosport.co.uk
Website: <http://labosport.com/>

- 3.1.2 The manufacturer is obliged to send to the FIVB and to the FIVB Testing laboratory the details of every piece of the composition and full specifications of the Video officiating support system to be homologated (number of cameras, each cameras resolution, frame rate, colour/black & white and any special features of the software that may assist the referees in the decision making process). Further information may be requested by the FIVB or the FIVB Testing Laboratory to validate the product.
- 3.1.3 The manufacturer of the Video officiating support system will be invited to arrange on-site testing at a location to be decided between the FIVB Testing Laboratory and the manufacturer. The purpose of on-site testing is to replicate international match conditions as described in the FIVB Event Regulations for each discipline.

On-site testing will be conducted with the assistance of a Challenge Referee appointed by the FIVB Technology & Innovation Department to review incidents and decisions of each test.

- 3.1.4 Video officiating support systems will be tested and receive approval for the following types of Homologated Sports Material:
- VOLLEYBALL - MIKASA Ball Type MVA-200
 - BEACH VOLLEYBALL - MIKASA VLS 300 / Beach
- The types of challenges tested are those described in the FIVB Form H-2.
- 3.1.5 The FIVB Technology & Innovation Department and the FIVB Testing Laboratory will coordinate dates and logistics for the on-site system approval test. The manufacturer may agree with the FIVB Testing Laboratory to arrange the logistics on their behalf. The FIVB Technology & Innovation Department will arrange logistics for the Challenge Referee.
- 3.1.6 The FIVB Testing Laboratory will invoice the manufacturer for travel, accommodation and meal costs for on-site testing (Article 3.1 FIVB Homologations Regulations 2018). The FIVB Testing Laboratory will reimburse the manufacturer in the event that the advanced laboratory fee is less than CHF 10'000 or issue a new invoice in the event that the laboratory fee is above CHF 10'000.
- 3.1.7 The FIVB Technology & Innovation Department will invoice the manufacturer for travel, accommodation and meal costs for on-site testing by the Challenge Referee and FIVB personal (Article 3.3. FIVB Homologations Regulations 2018). The FIVB will reimburse the manufacturer in the event that the advanced administration fee is less than CHF 5'000 or issue a new invoice in the event that the administration fee is above CHF 5'000.

4. POST-TESTING

Please allow up to sixty (60) days after the on-site test for the FIVB Testing Laboratory to prepare reports and for the FIVB to finalize the homologation process.

- 4.1 The FIVB Testing Laboratory will communicate the results of the on-site test to the FIVB Technology & Innovation Department directly (Article 3.2.4 FIVB Homologation Regulations 2018). The manufacturer will subsequently be informed of the results of the on-site test.
- 4.2 If the FIVB Testing Laboratory concludes that the Video officiating support system does not meet FIVB Technical Requirements the manufacturer can file a second application at any point in the future, provided that the advanced laboratory fee and administration fee are paid.

- 4.3 If the FIVB Testing Laboratory concludes that the Video officiating support system meets FIVB Technical Requirements:
- 4.3.1 The FIVB will prepare a Homologation Contract, which will include the specifications listed in Article 3.4.2 FIVB Homologation Regulations 2018.
 - 4.3.2 Subject to the signature of the Homologation Contract and payment of the remainder of the laboratory fee and/or administration fee (if any), the Video officiating support system will be considered a Homologated Sports Material (Article 2.2.3 FIVB Homologation Regulations 2018). The FIVB will issue a Homologation Certificate (Article 3.5 FIVB Homologation Regulations 2018).
- 4.4 If the Video officiating support system is changed, improved or upgraded at any point in time, the Homologated Sports Material will lose its homologation (Article 2.3.2 FIVB Homologation Regulations 2018). The FIVB has the right to amend the FIVB Technical Requirements – Video Officiating Support Systems at any time. In such case, the product must be re-tested (Article 2.3.2 FIVB Homologations Regulations 2018).

5. MISCELLANEOUS

- 5.1 The manufacturer of the Video officiating support system may acquire a license to use the FIVB Marks in relation with the Homologated Sports Material (Articles 2.4.1 and 5 FIVB Homologation Regulations 2018).
- 5.2 The FIVB may at some point decide to appoint an Exclusive Supplier for Video officiating support systems for all or particular FIVB Competitions and/or World Competitions (Article 2.4.2.1 FIVB Homologation Regulations 2018). Supplier Agreements may not waive the homologation requirements (Article 2.4.2.2 FIVB Homologation Regulations 2018).

FIVB Technical Standards - Event Requirements
Video Officiating Support Systems
Revised as at 3 October 2018



Volleyball				Standard Category			
				Platinum	Gold	Silver	Bronze
Line BALL IN/BALL OUT	Automated Line Calling & Graphic Animation	≤ 10 mm	✓				
	Automated Line Calling & Graphic Animation	≤ 20 mm		✓			
	Video Replay & Graphic Animation	≤ 20 mm			✓		
	Video Replay	≤ 20 mm				✓	
Net Touch TOUCH / NO TOUCH	Video Replay	100%	✓	✓	✓		
	Video Replay	90%				✓	
Block Touch TOUCH / NO TOUCH	Video Replay	100%	✓	✓	✓		
	Video Replay	90%				✓	
Antenna Touch TOUCH / NO TOUCH	Video Replay	100%	✓	✓	✓		
	Video Replay	90%				✓	
Foot Fault FAULT / NO FAULT	Video Replay	≤ 10 mm	✓				
	Video Replay	≤ 20 mm		✓	✓	✓	
Floor Touch TOUCH / NO TOUCH	Video Replay	100%	✓	✓	✓		
	Video Replay	90%				✓	

* Due to advances in technology, the FIVB reserves the right to revise these standards at any time.

FIVB Competitions and Olympic Games (minimum standard required)				Standard Category			
				Platinum	Gold	Silver	Bronze
Olympic Games				✓			
World Championships				✓			
Volleyball Nations League				✓			
Volleyball Challenger Cup				✓			
Olympic Qualification Tournaments				✓			
World Cup				✓			
World Grand Champions Cup				✓			
World Club Championships				✓			
World Championships - Under Age				✓	✓	✓	

World (except Olympic Games), Official & Recognised Competitions (recommendation only - final decision by Continental Confederations / National Federations)				Standard Category			
				Platinum	Gold	Silver	Bronze
World				✓	✓	✓	
Continental				✓	✓	✓	
National				✓	✓	✓	✓



Beach Volleyball

		Standard Category		
		Gold		Bronze
Line	Video Replay ≤ 15 mm	✓		
BALL IN/BALL OUT	Video Replay ≤ 25 mm			✓
Net Touch	Video Replay 100%	✓		
TOUCH/NO TOUCH	Video Replay 90%			✓
Block Touch	Video Replay 100%	✓		
TOUCH/NO TOUCH	Video Replay 90%			✓
Antenna Touch	Video Replay 100%	✓		
TOUCH/NO TOUCH	Video Replay 90%			✓
Foot Fault	Video Replay ≤ 15 mm	✓		
FAULT/NO FAULT	Video Replay ≤ 25 mm			✓

* Due to advances in technology, the FIVB reserves the right to revise these standards at any time.

FIVB Competitions and Olympic Games (minimum standard required)

		Standard Category		
		Gold		Bronze
	Olympic Games	✓		
	World Championships	✓		
	Olympic Qualification Tournaments	✓		
	World Tour - Finals	✓		
	World Tour - 5,4 star	✓		
	World Tour - 3,2,1 star	✓		✓
	Continental Cup	✓		✓
	World Championships - Under Age	✓		✓

World (except Olympic Games), Official & Recognised Competitions

(recommendation only - final decision by Continental Confederations / National Federations)

		Standard Category		
		Gold		Bronze
	World	✓		
	Continental	✓		
	National	✓		✓

Appendix 3**FIVB MARKS**

The FIVB™, Fédération Internationale de Volleyball (Switzerland non-profit organization) and its corporate logo is a registered trademark. The use of the FIVB logo and the below approval stamps is strictly prohibited unless by the authorization of the FIVB [and/or its affiliates](#).

**INTERNATIONAL VOLLEYBALL STANDARD****FIVB APPROVED**